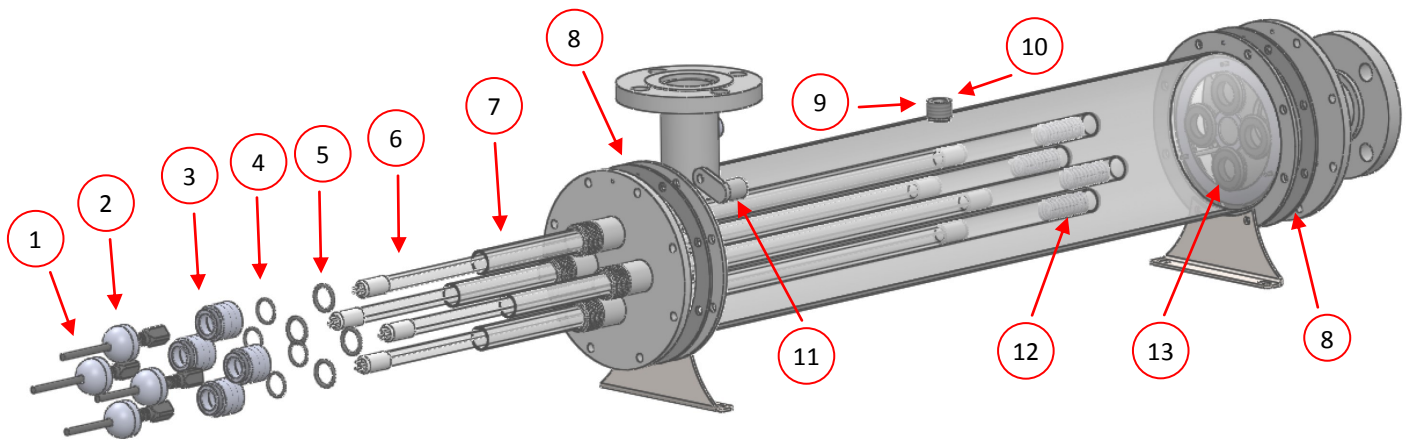


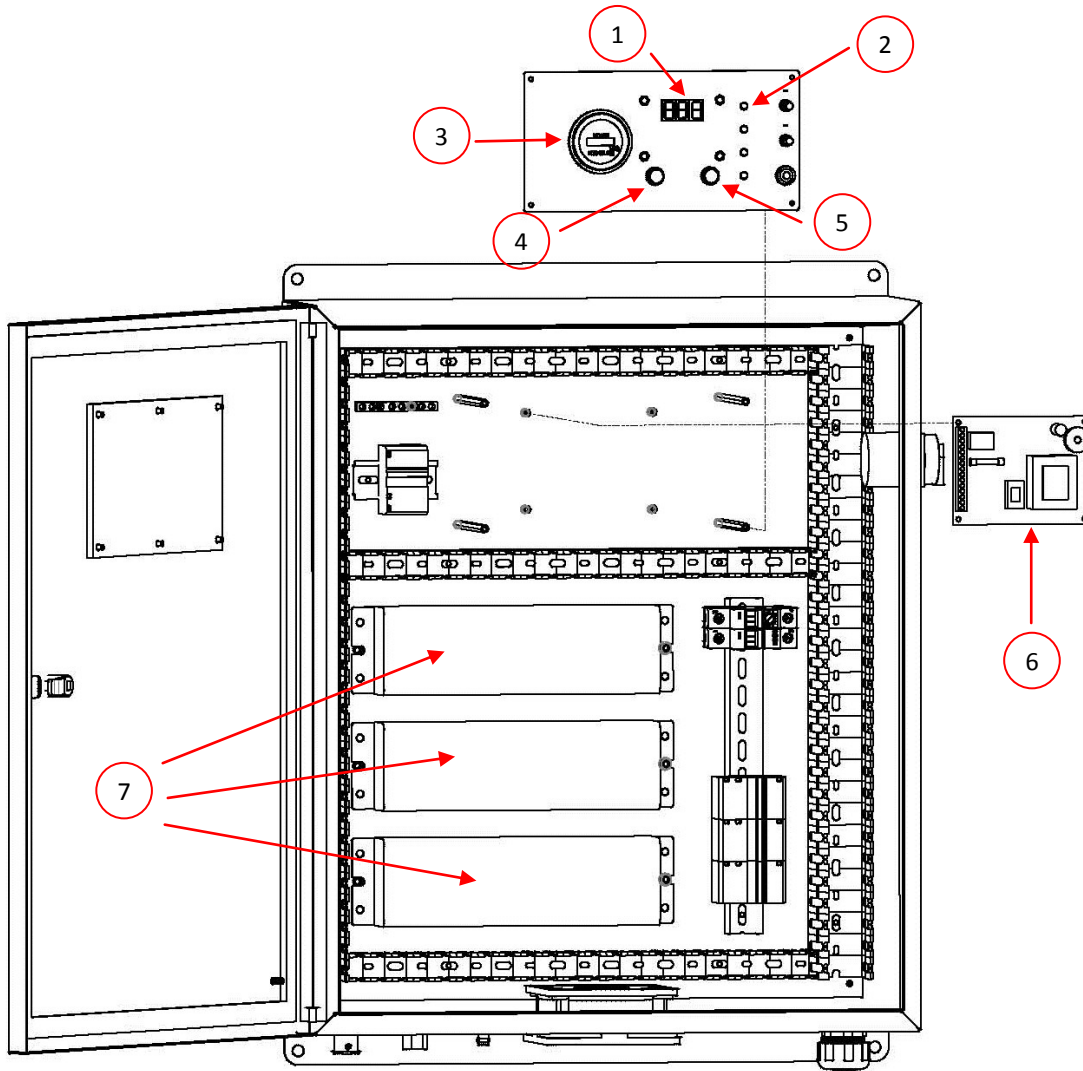
Parts Breakdown—CoyoteUV[®] Amalgam Series



Replacement Parts List

Item No.	Part No.	Description	Quantity required		
			CY2-A	CY3-A	CY4-A
1	LH0002	Lamp Harness	2	3	4
2	CN0002	Compression Cap	2	3	4
3	CN0001	Compression Nut	2	3	4
4	4255	Sleeve Cushion O-Ring	2	3	4
5	ORNG0009	Sleeve O-Ring, EPDM	2	3	4
6	GL-5843-4A74G	Lamp—254NM	2	3	4
	GV-5843-4A74B	Lamp—185NM	2	3	4
7	G36-2450	Quartz Sleeve, Domed	2	3	4
8	GSKT0001	Head Gasket	2	2	2
9	VPM0001	UV View Port (For Models without UV Monitor)	1	1	1
	002045	O-Ring for UV Viewport	1	1	1
10	4-0008	UV Sensor (For Models with Optional UV Monitor)	1	1	1
11	THERM0100	Thermistor (For Models with Optional High Heat)	1	1	1
12	SPRING0001	Spring	2	3	4
13	GRMT0001	Grommet	2	3	4

Electrical Enclosure Replacement Parts List



Item No.	Part No.	Description	Quantity required		
			CY2-A	CY3-A	CY4-A
1	ELEN0028	Intensity Display Board (For Models with Optional UV Monitor)	1	1	1
2	LED0006	Lamp Status Indicator	2	3	4
3	ERTM0100	Elapsed Runtime Meter	1	1	1
4	LGHT0003	Low UV Indicator—120V	1	1	1
	LGHT0004	Low UV Indicator—220V	1	1	1
5	LGHT0001	High Heat Shutoff Indicator—120V	1	1	1
	LGHT0002	High Heat Shutoff Indicator—220V	1	1	1
6	ELEN0029	UV Meter Board	1	1	1
	ELEN0029-420	UV Meter Board with 4-20mA Output (For Models with Optional UV Monitor)	1	1	1
7	BLST0015	Ballast 120V 50-60Hz	2	3	4
	BLST0016	Ballast 230V 50-60Hz	2	3	4