



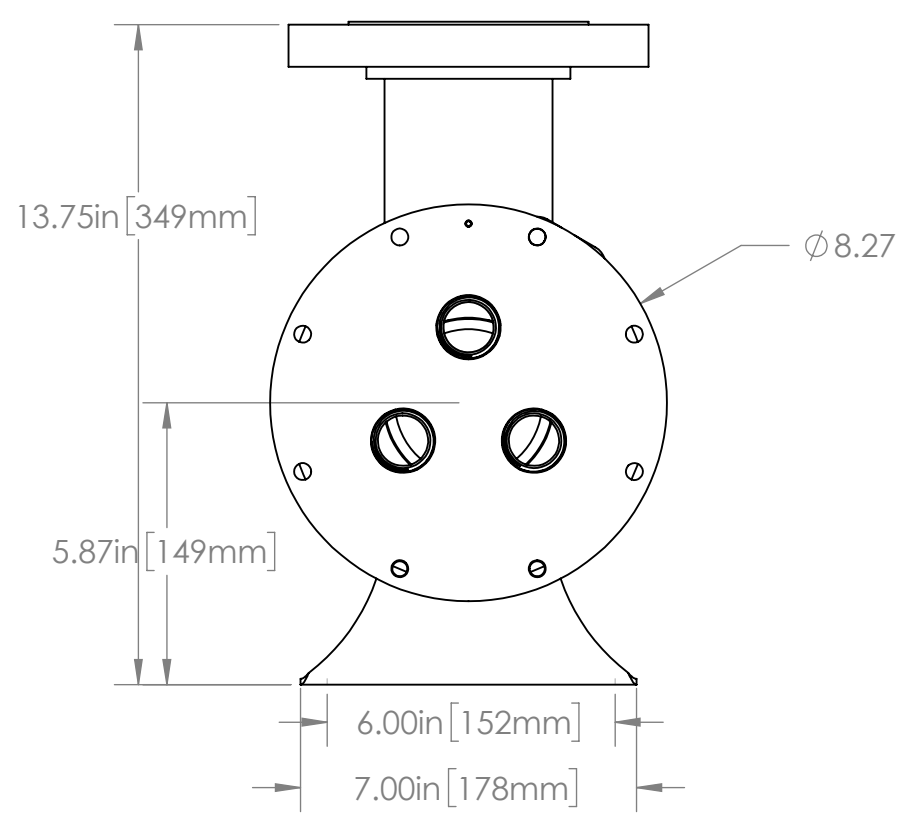
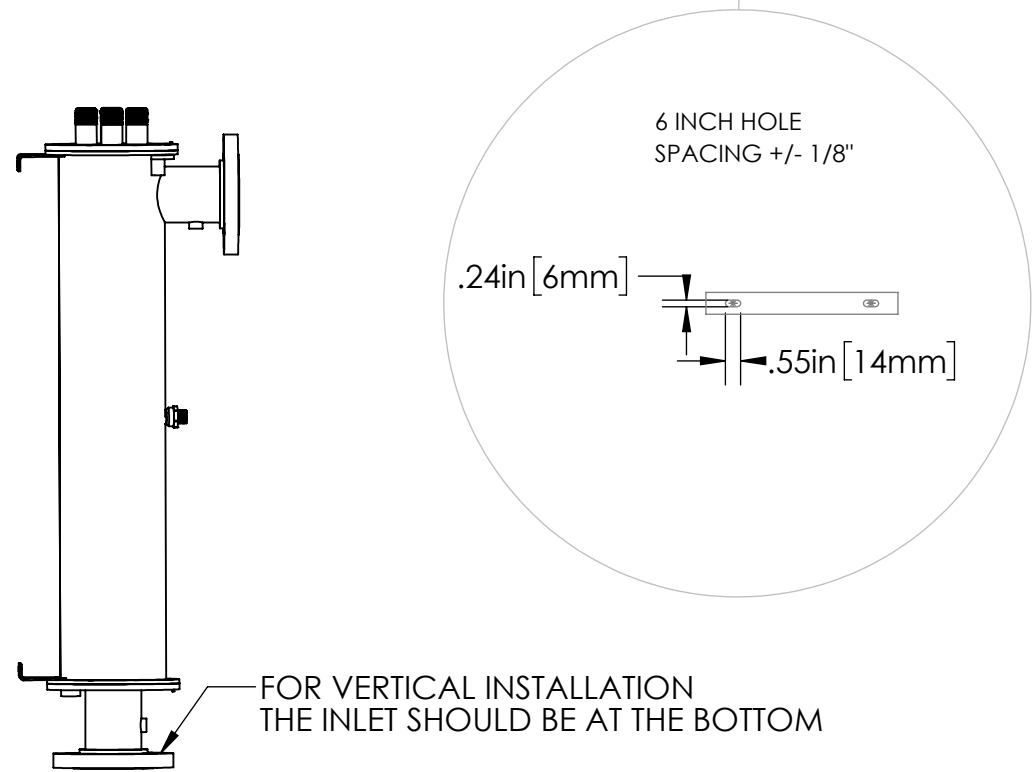
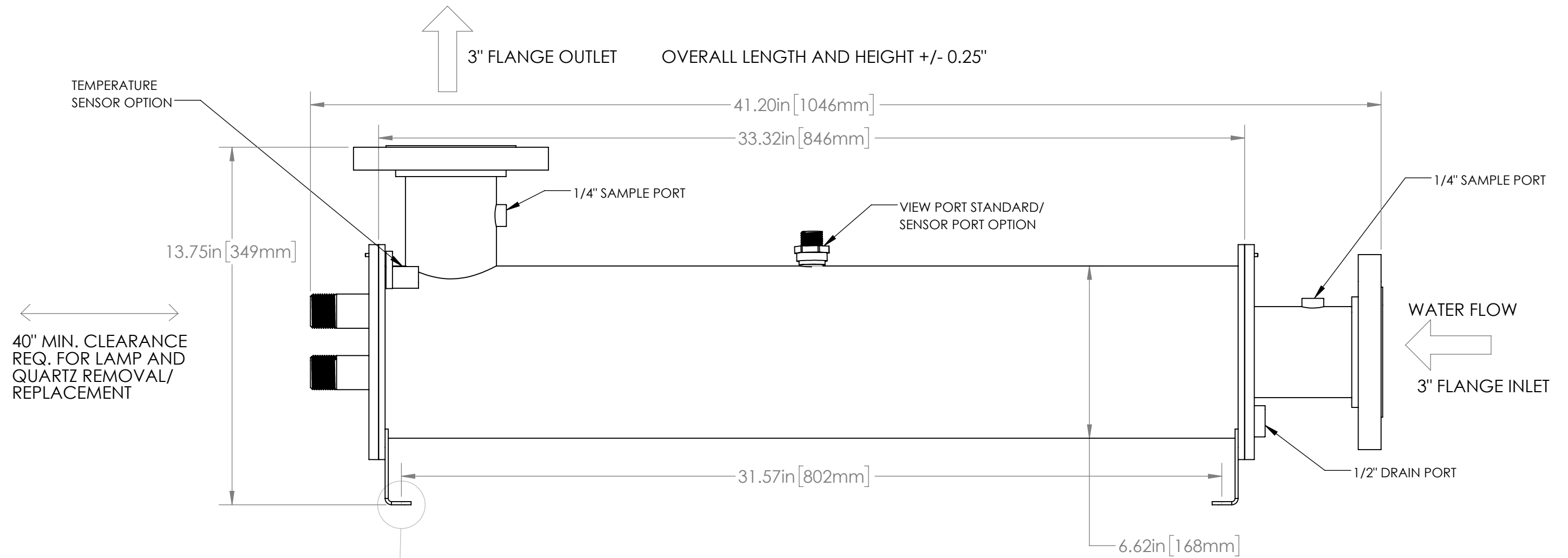
Amalgam Models

Three Lamp Systems – Short Design
Mechanical Drawings

3" Flange

3" Sanitary

Enclosure



 UV Superstore, Inc. 820 Tucker Ct. Winder, GA 30680 P: 770.307.3882 F: 770.307.3872 www.uvsuperstore.com		
TITLE: COYOTE, 3 LAMP, 3" FLANGE		
MATERIAL: 316L STAINLESS STEEL		
<small>THE INFORMATION CONTAINED IN THIS DRAWING IS THE SOLE PROPERTY OF UVSUPERSTORE, INC. ANY REPRODUCTION IN PART OR AS A WHOLE WITHOUT THE WRITTEN PERMISSION OF UVSUPERSTORE, INC IS PROHIBITED.</small>	DWG. NO. MV-CY33F6	REV
6/17/16	RWD	SHEET 1 OF 1

3" SANITARY OUTLET

OVERALL LENGTH AND HEIGHT +/- 0.25"

TEMPERATURE
SENSOR OPTION

40.03in [1017mm]

33.32in [846mm]

12.77in [324mm]

VIEW PORT STANDARD/
SENSOR PORT OPTION

40" MIN. CLEARANCE
REQ. FOR LAMP AND
QUARTZ REMOVAL/
REPLACEMENT

WATER FLOW
←
3" SANITARY INLET

31.57in [802mm]

1/2" DRAIN PORT

6.62in [168mm]

6 INCH HOLE
SPACING +/- 1/8"

.24in [6mm]

.55in [14mm]

12.75in [324mm]

Ø 8.27

5.87in [149mm]

6.00in [152mm]

7.00in [178mm]

FOR VERTICAL INSTALLATION
THE INLET SHOULD BE AT THE BOTTOM



UV Superstore, Inc.
820 Tucker Ct.
Winder, GA 30680
P: 770.307.3882 F:770.307.3872
www.uvsuperstore.com

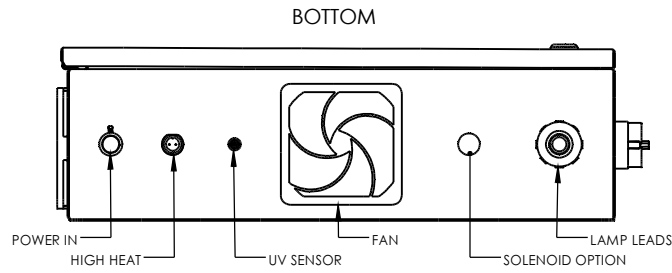
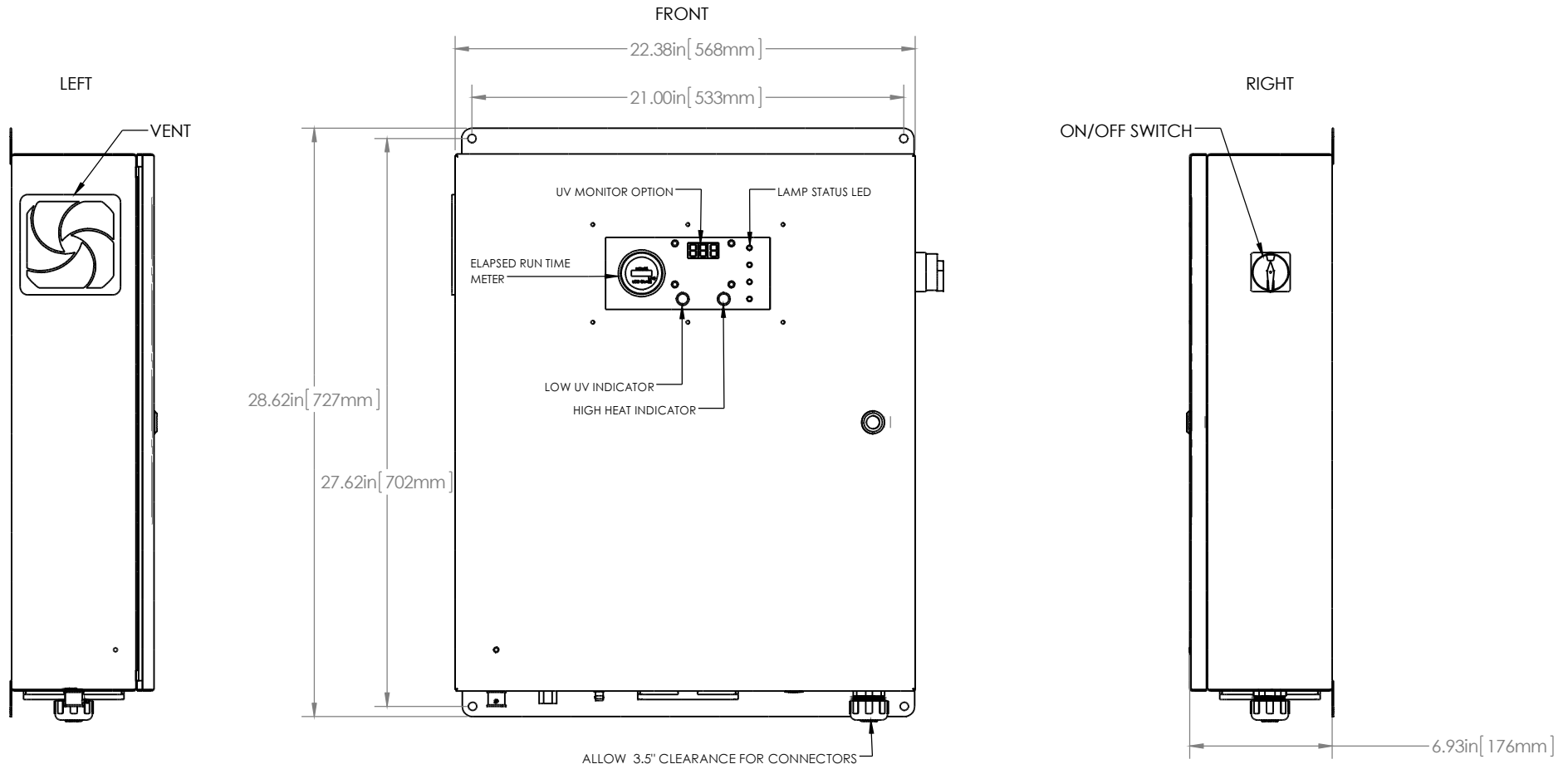
TITLE:
COYOTE, 3 LAMP, 3" SANITARY

MATERIAL:
316L STAINLESS STEEL

THE INFORMATION CONTAINED IN THIS
DRAWING IS THE SOLE PROPERTY OF
UVSUPERSTORE, INC. ANY REPRODUCTION IN
PART OR AS A WHOLE WITHOUT THE WRITTEN
PERMISSION OF UVSUPERSTORE, INC IS
PROHIBITED.

DWG. NO. MV-CY33S6

12-8-15 BY: RWD SHEET 1 OF 1



UV Superstore, Inc.
 820 Tucker Ct.
 Winder, GA 30680
 P: 770.307.3882 F: 770.307.3872
www.uvsuperstore.com

UV SUPERSTORE

TITLE:
 COYOTE, AMALGAM, HIGH HEAT, UV MONITOR

MATERIAL:
 304 STAINLESS STEEL

THE INFORMATION CONTAINED IN THIS DRAWING IS THE SOLE PROPERTY OF UV SUPERSTORE, INC. ANY REPRODUCTION IN PART OR AS A WHOLE WITHOUT THE WRITTEN PERMISSION OF UV SUPERSTORE, INC IS PROHIBITED.

DWG. NO. ME-CYAX	REV
12-2-15	BY: BC SHEET 1 OF 1