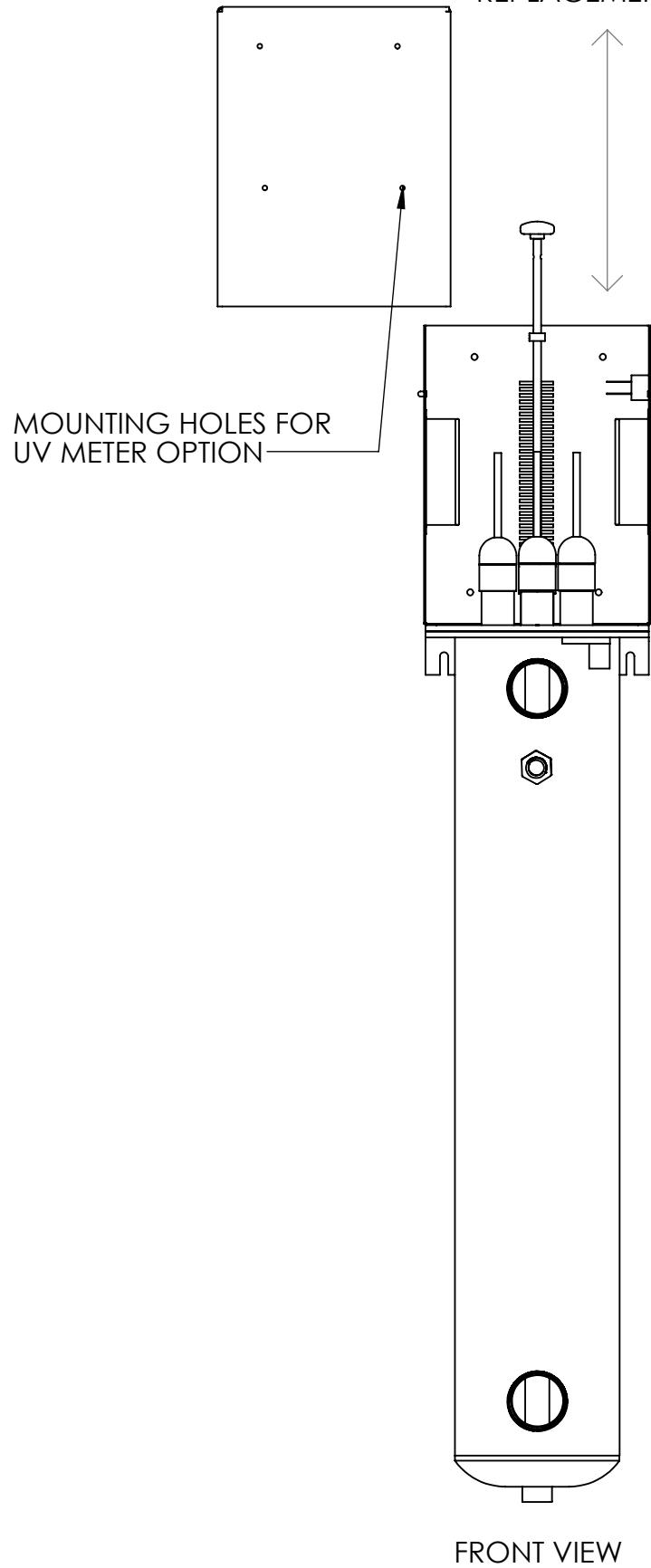
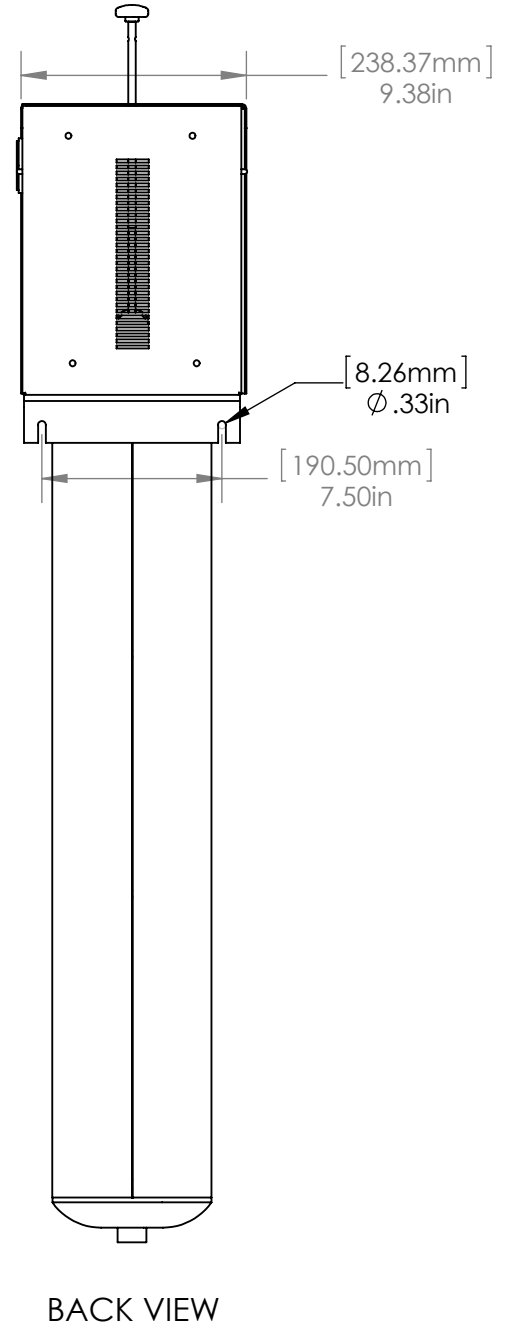
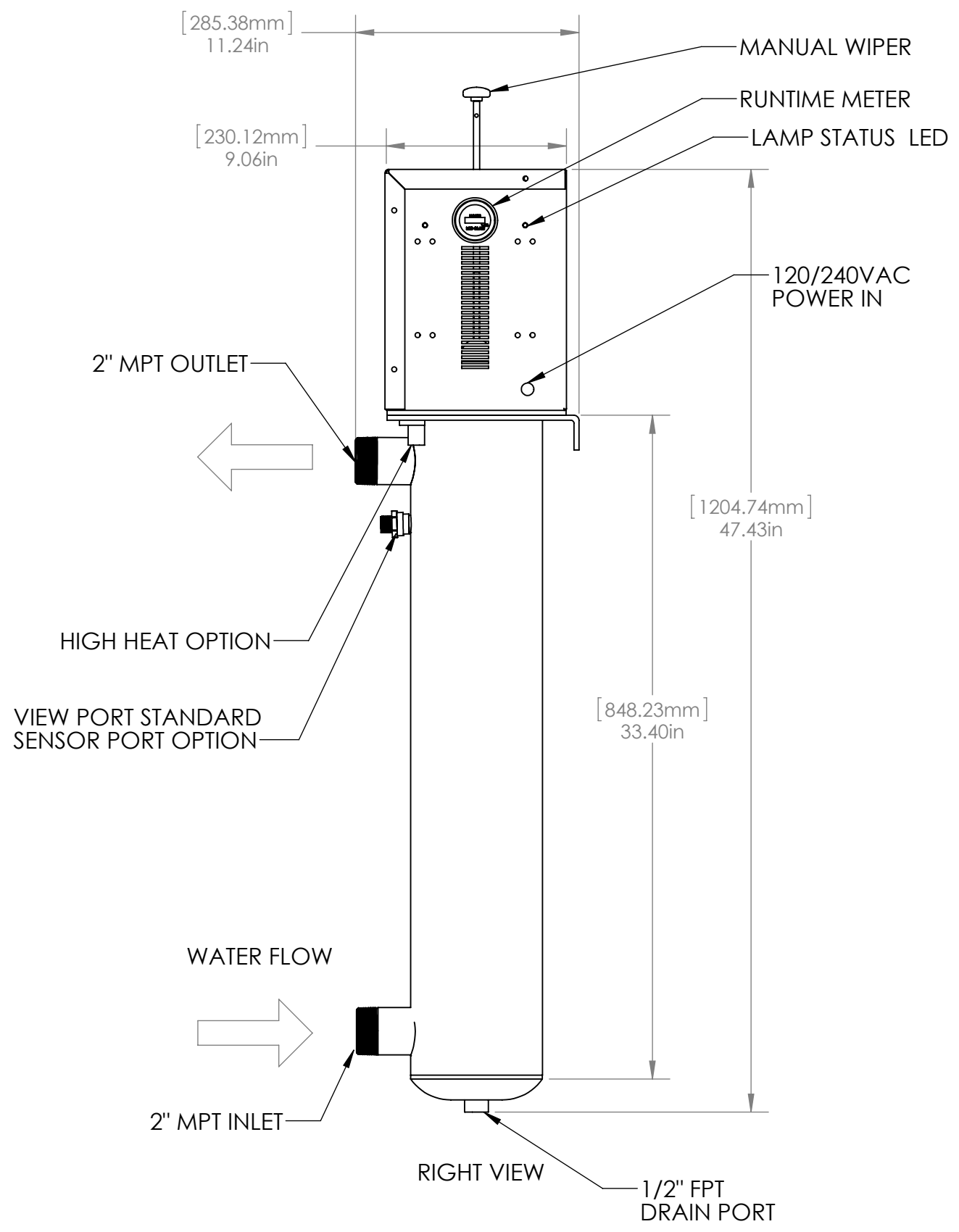


40" MIN. CLEARANCE REQUIRED FOR LAMP AND QUARTZ REPLACEMENT/REMOVAL



OVERALL LENGTH AND HEIGHT +/- .25"



UV Superstore, Inc.
 820 Tucker Ct.
 Winder, GA 30680
 P: 770.307.3882 F:770.307.3872
www.uvsuperstore.com

TITLE: EAGLE,4 LAMP, 2" MPT		
MATERIAL: 304SS VESSEL, POWDER COATED STEEL ENCLOSURE		
THE INFORMATION CONTAINED IN THIS DRAWING IS THE SOLE PROPERTY OF UVSUPERSTORE,INC. ANY REPRODUCTION IN PART OR AS A WHOLE WITHOUT THE WRITTEN PERMISSION OF UVSUPERSTORE,INC IS PROHIBITED.	DWG. NO. MV-EG42N	REV
1-22-16	BY: BC	SHEET 1 OF 1